

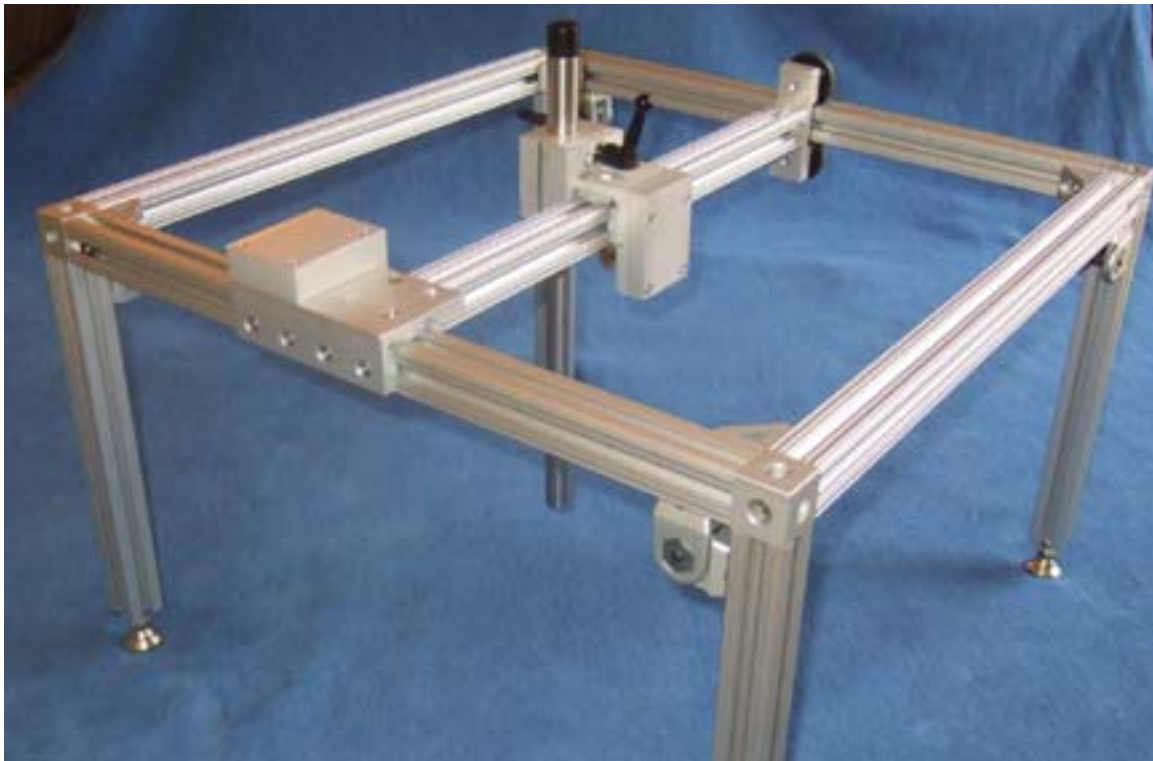
C-scan Bridge

Phased Array and Conventional Probes

The C-scan Bridge follows a conventional design for common immersion or dry coupled scanning activities. It's small enough for table top use and also easy to move. There are three moving axis X, Y, and Z and two encoded axis, X and Y. The Z-axis can be fitted with an optional encoder for rotational data. The bridge integrates two normalizing axis which are designed for phased array probes. Of course, the standard search tube can be outfitted with a two axis gimbal for UHF style immersion probes.

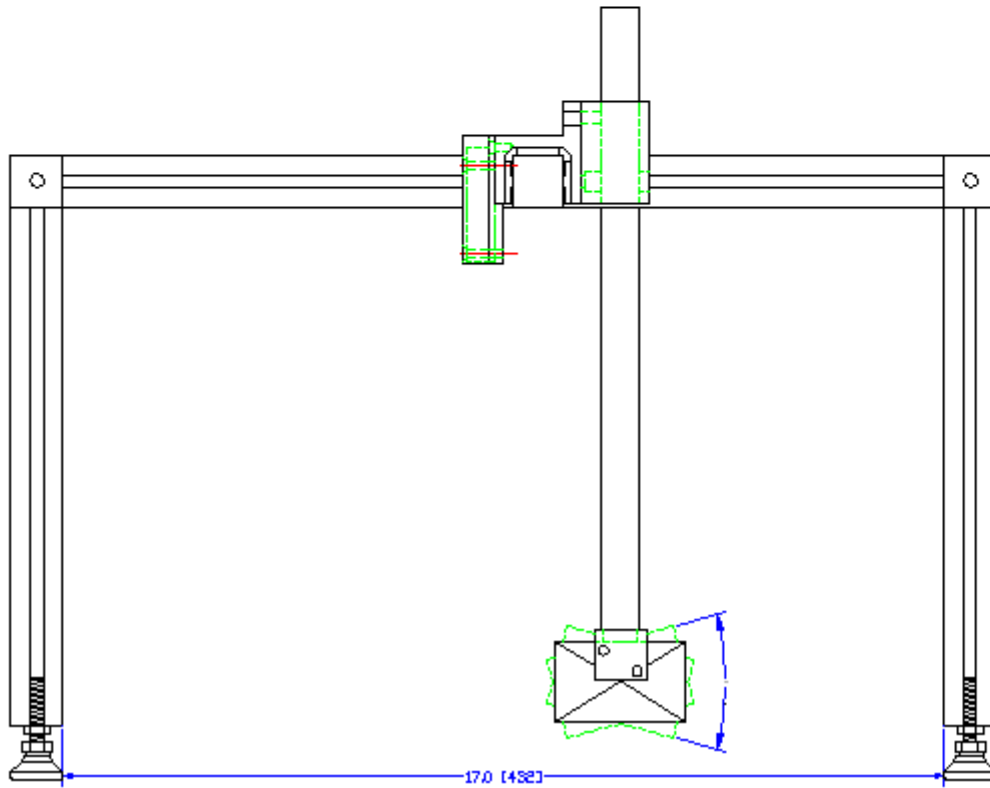
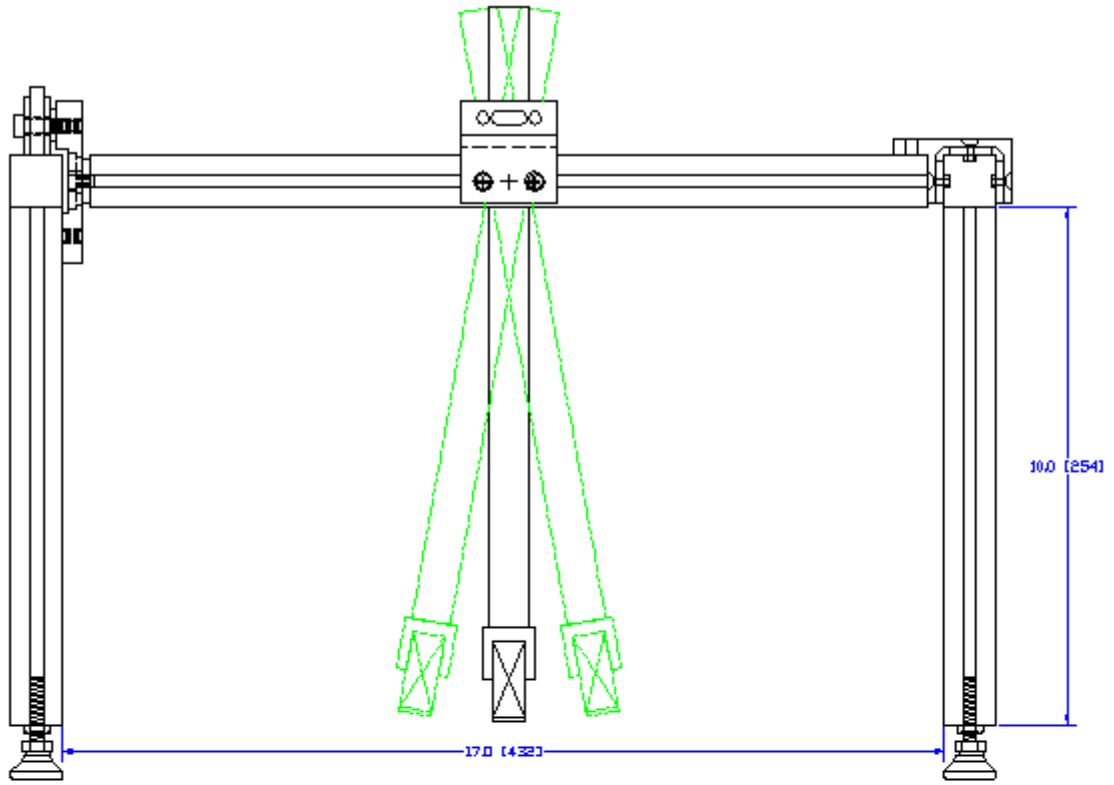
Ideally positioned as an entry level scanner it is fully manual to keep the cost reasonable. The aluminum frame is rigid but exceptionally lightweight weight and the legs can be outfitted with optional hinges so they can be folded during transportation. High resolution optical encoders provide position feedback through precision metal gears. Compatible with most common data acquisition systems.

Custom sizes available upon request. Designed and built in the USA.



Contact: Wayne Johnson, 5791 Cold Water Dr, Castro Valley, CA 94552

510 889-8797 voice 510 282-4855 mobile 502 470-6731 fax, wvj10@cs.com



Contact: Wayne Johnson, 5791 Cold Water Dr, Castro Valley, CA 94552
510 889-8797 voice 510 282-4855 mobile 502 470-6731 fax, wvj10@cs.com